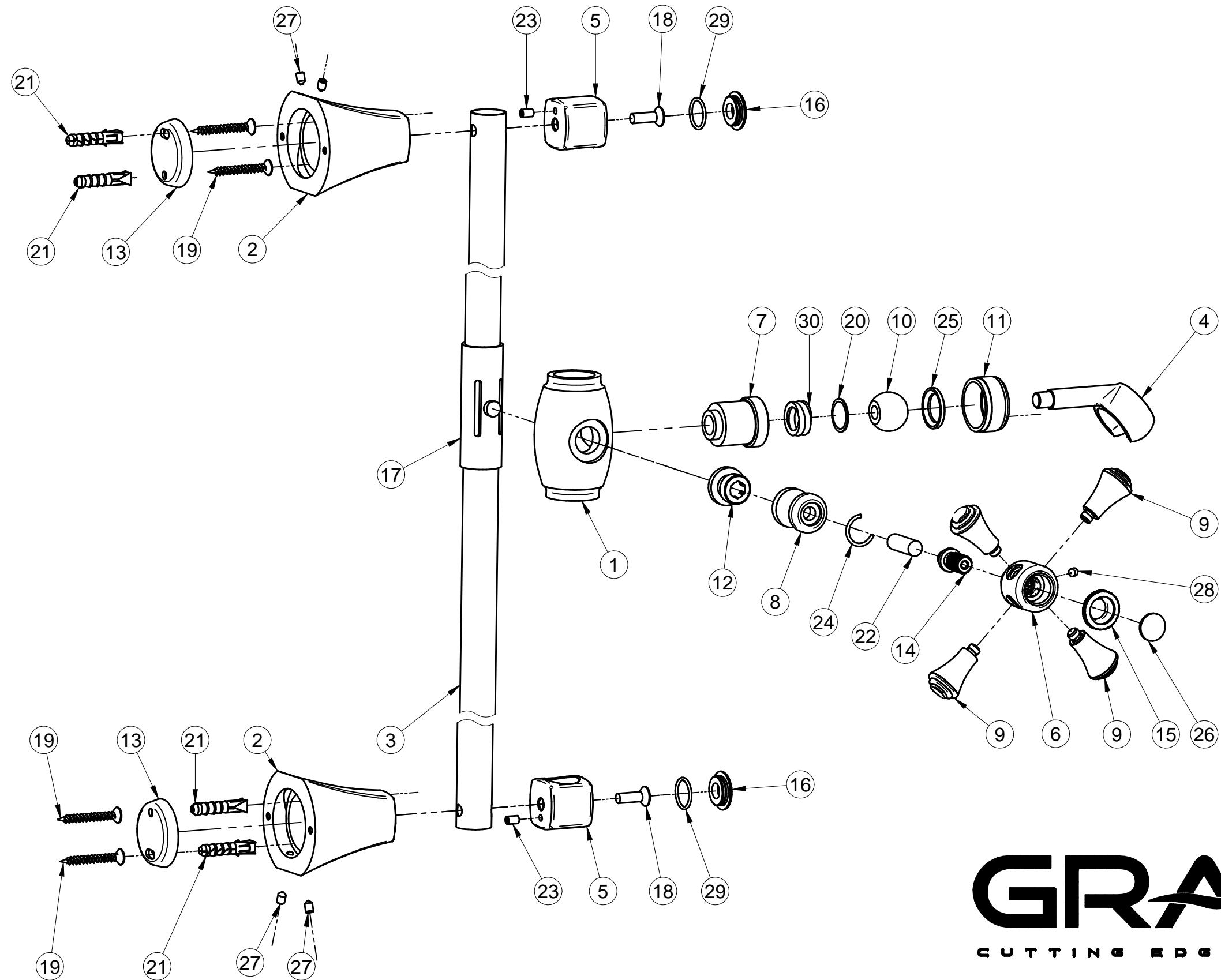


# G-8661

## FINEZZA DUE Series



**GRAFF**<sup>®</sup>  
CUTTING EDGE DESIGN